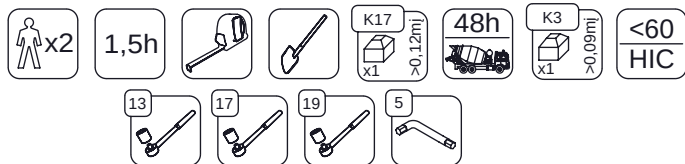
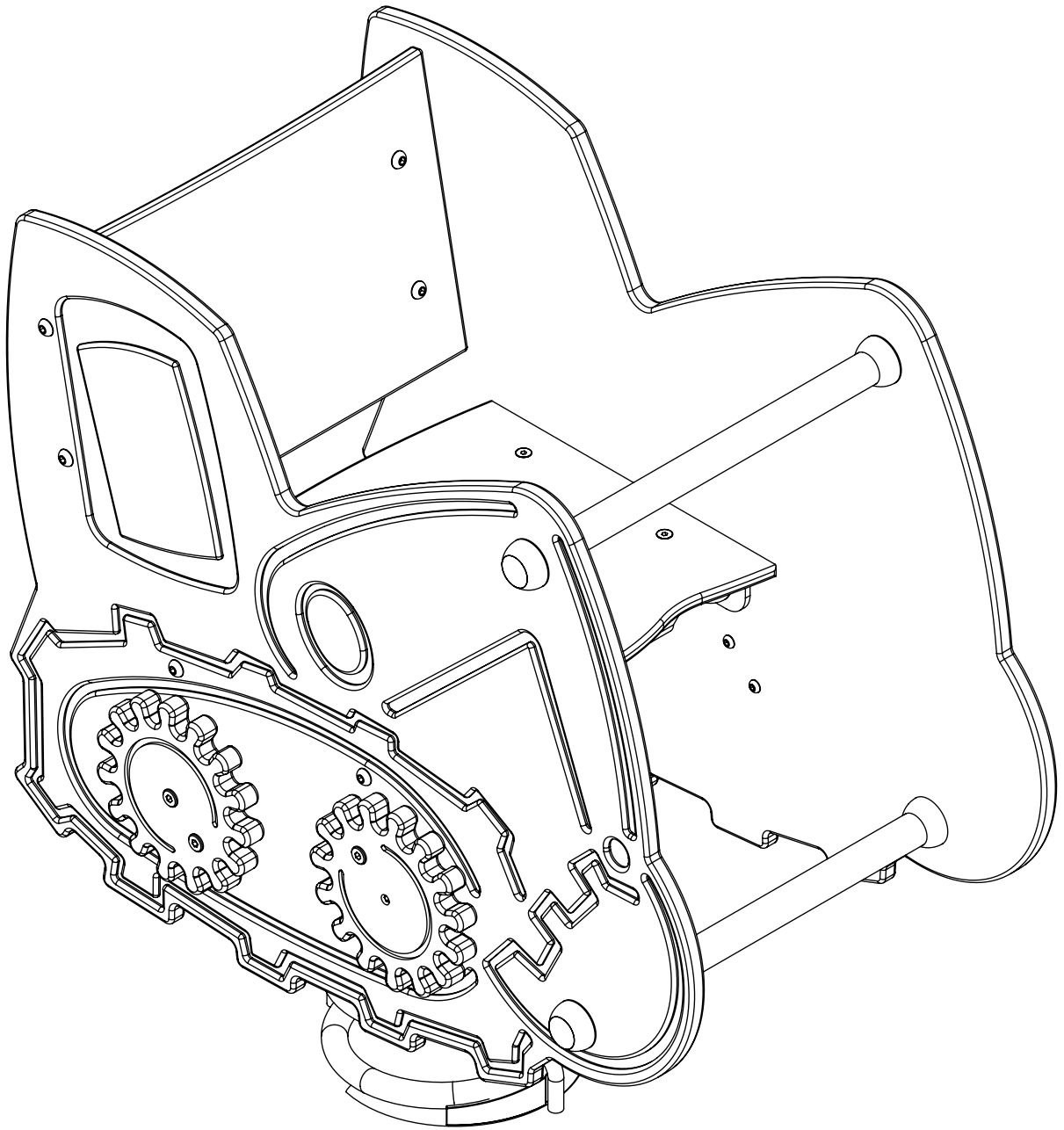
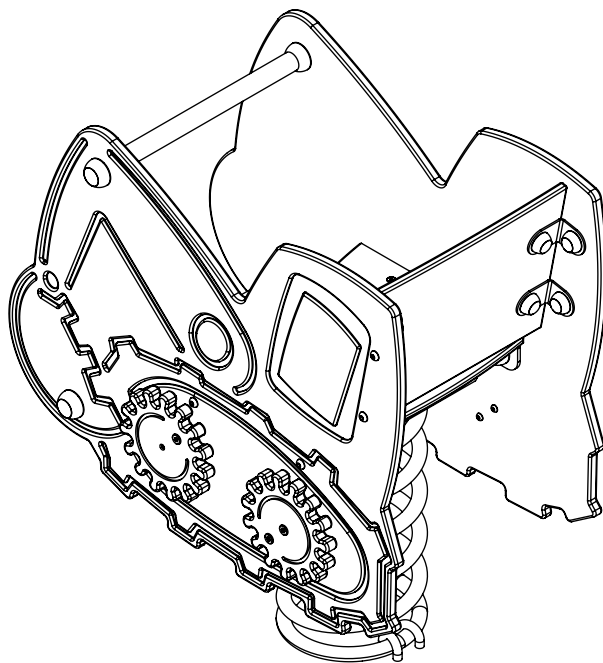
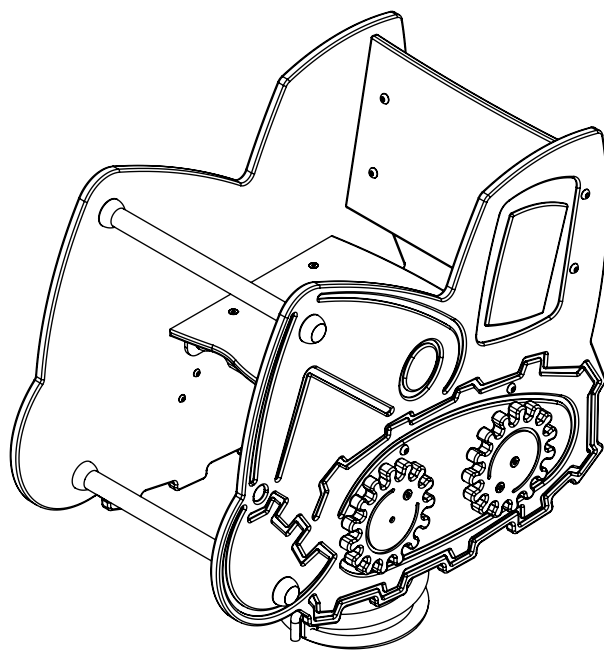


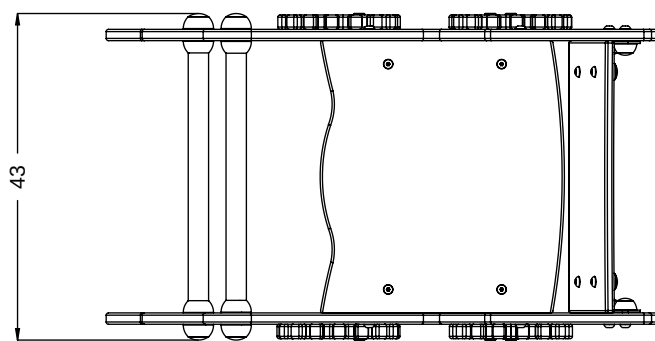
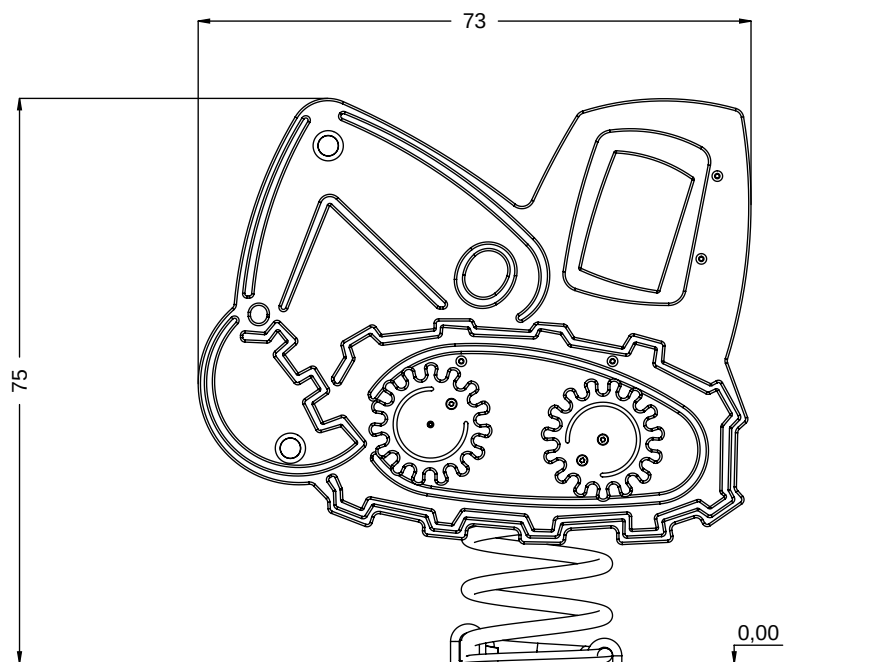
0633



v012
15.09.2020
A. H.
[cm]

vinci
play

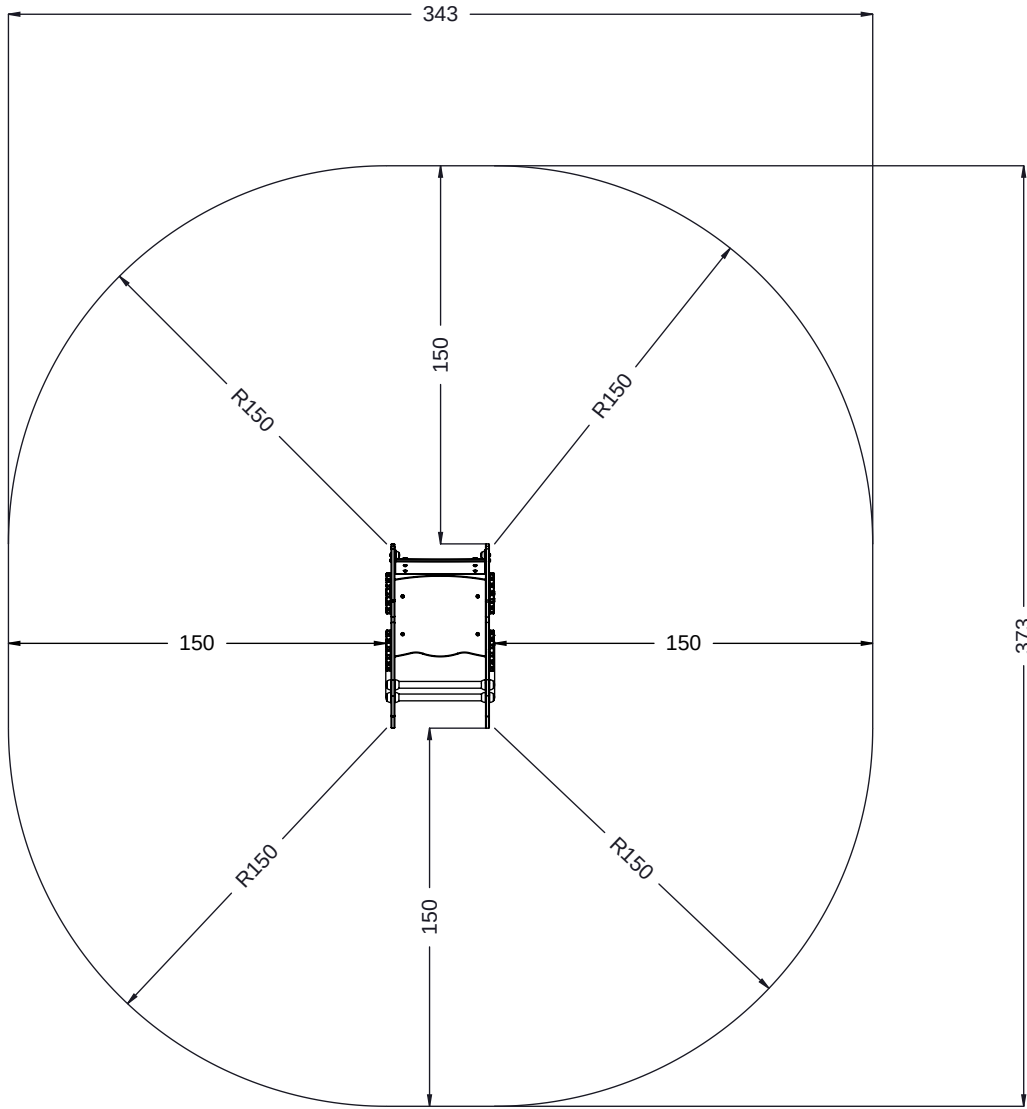




[cm]



vinci
play

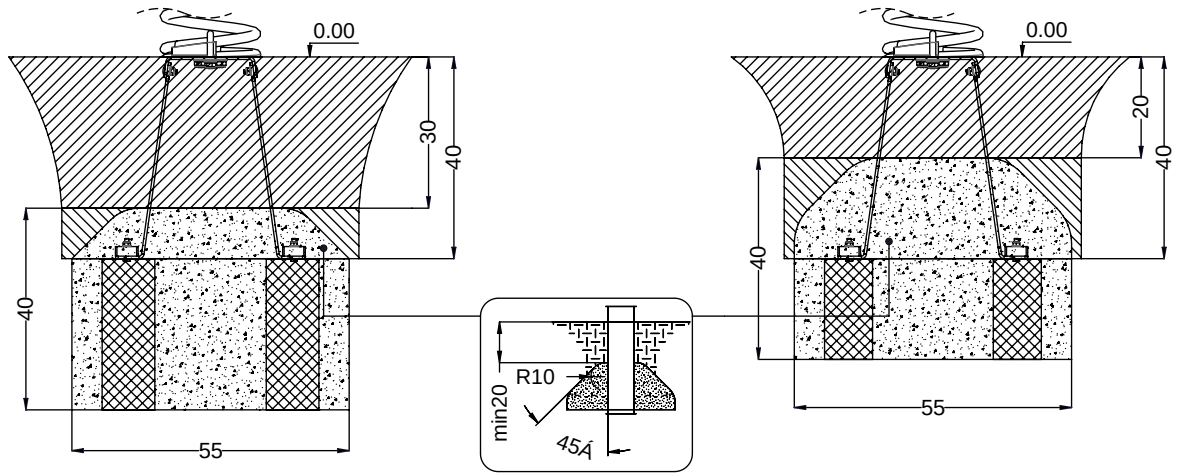


[cm]






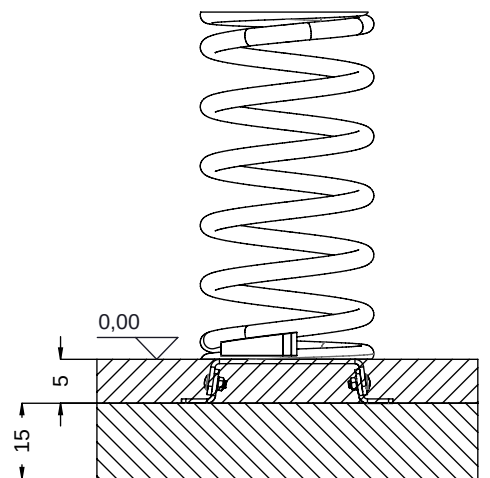
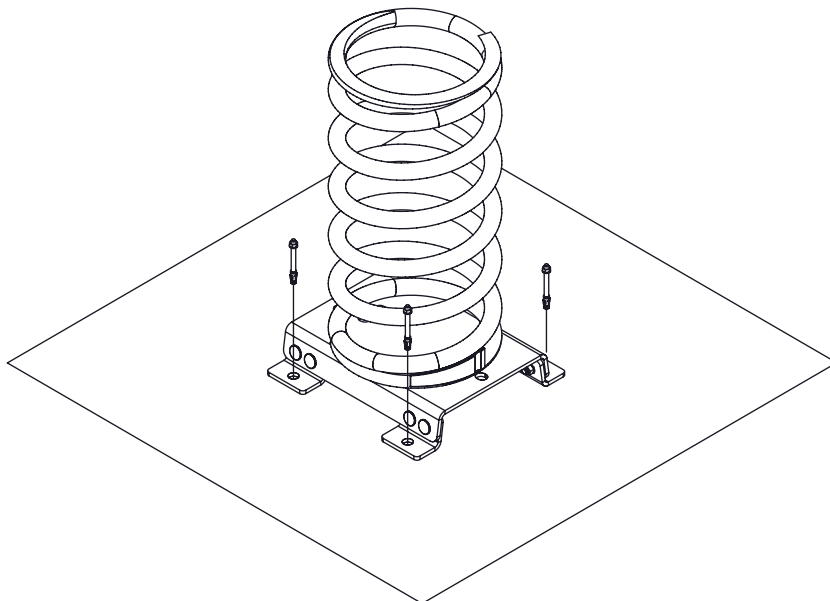
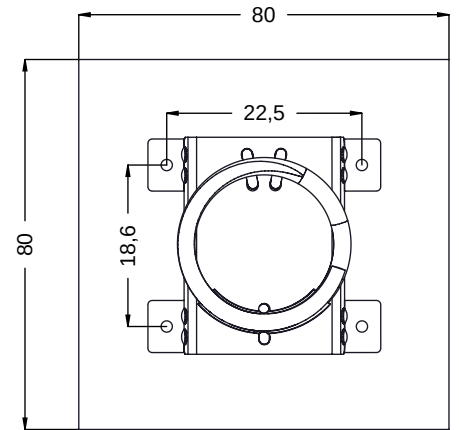
vinci
play

K17



K3

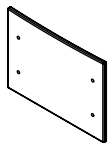
	K3
M10x120 x4	
NOT INCLUDED	



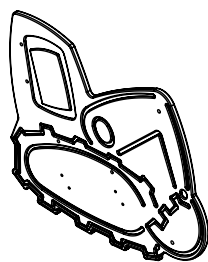
[cm]



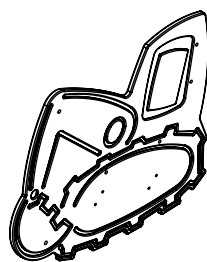
vinci
play



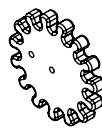
061229
x1



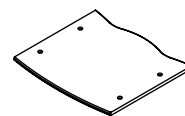
061223
x1



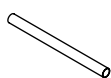
061222
x1



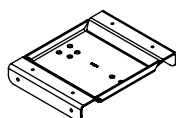
991178
x4



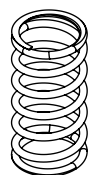
061144
x1



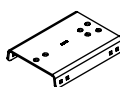
063101
x2



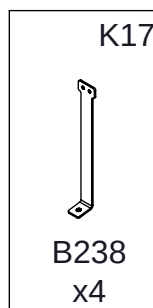
B-233-3
x1



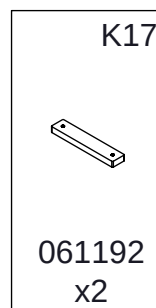
993119
x1



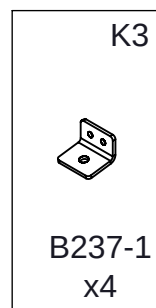
B239
x1



K17
B238
x4

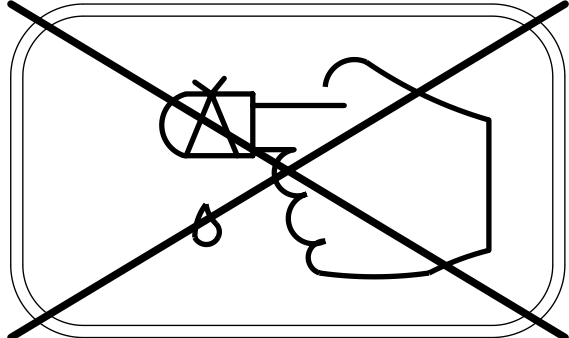
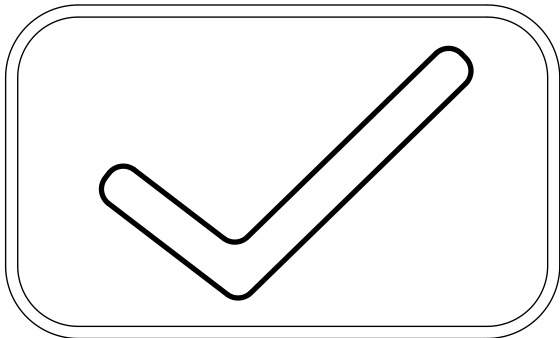
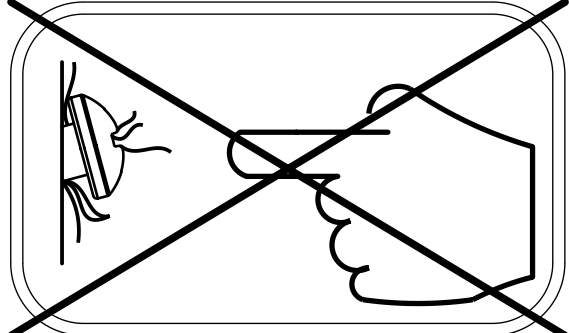
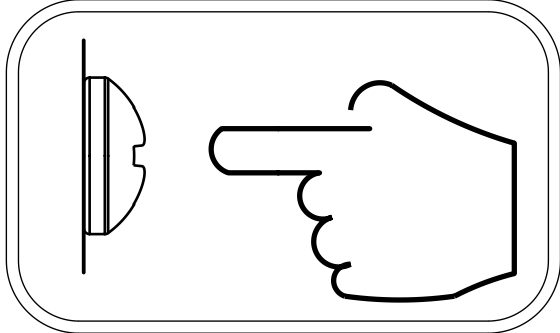
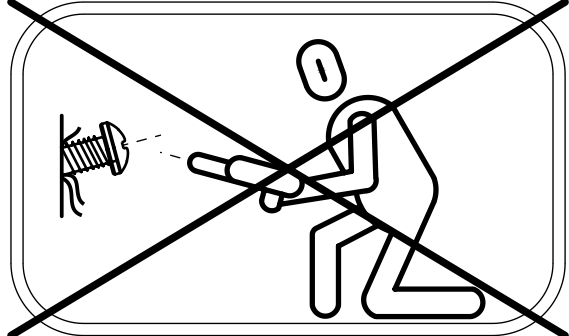
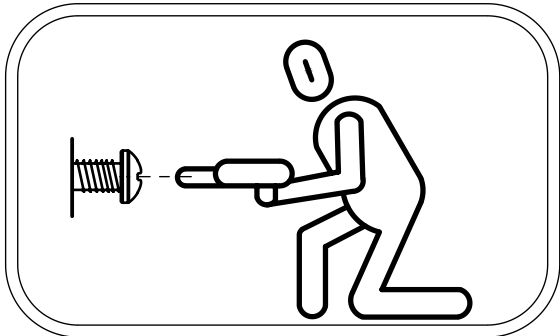


K17
061192
x2

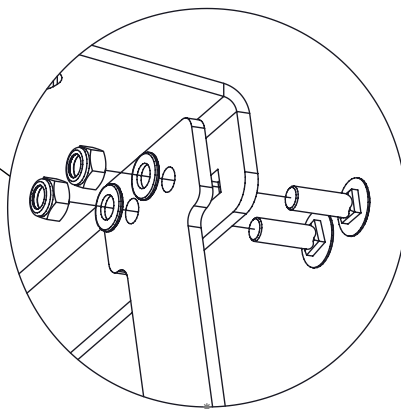
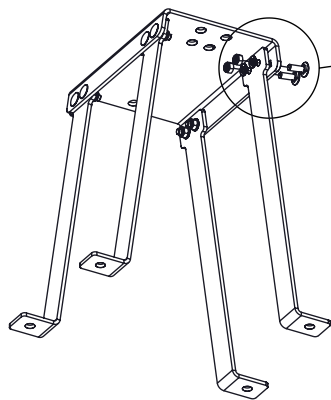


K3
B237-1
x4

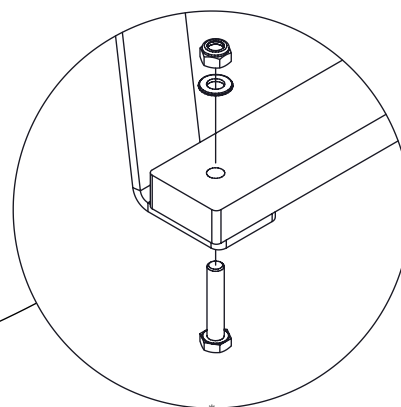
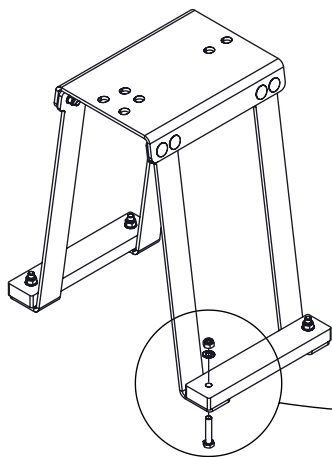
ST/INOX		HDPE	
1x	SP3 _(K17)	1x	SP27
1x	SP1	1x	SP11
2x	SP2	1x	SP33
1x	V001	1x	SP12
		4x	SP62
		1x	SP10



K17

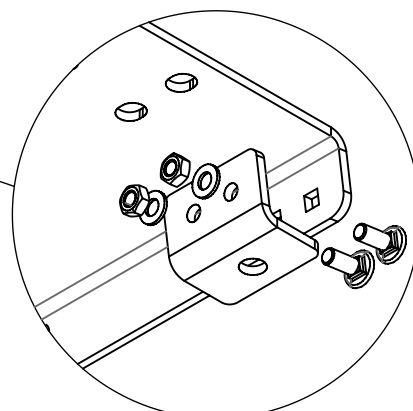
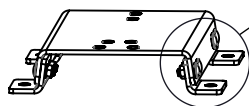


SP1 x1



SP3 x1

K3

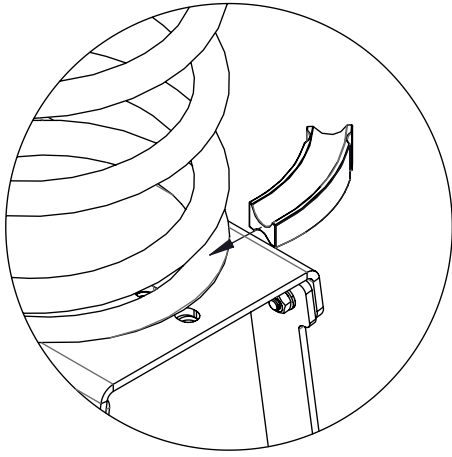


SP1 x1

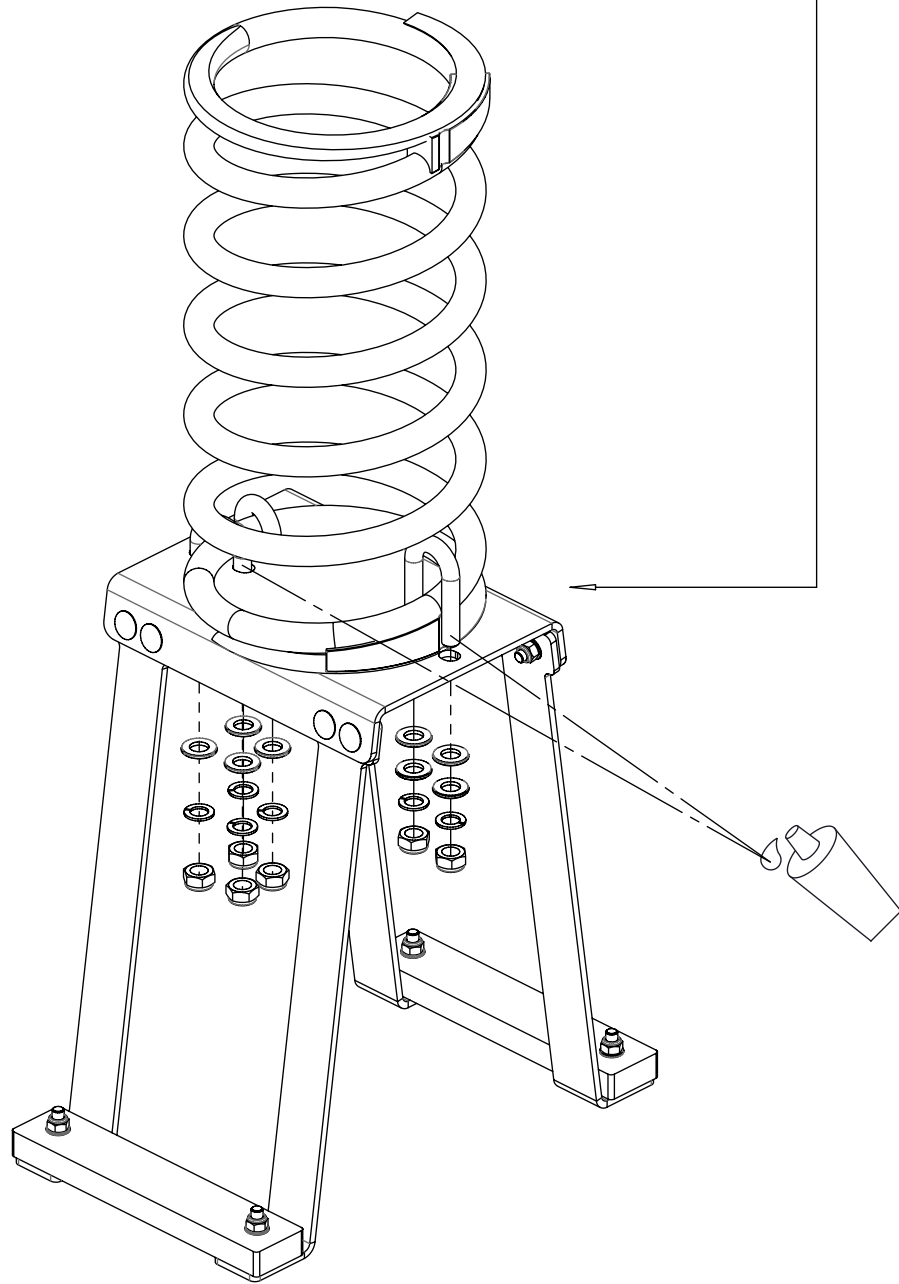
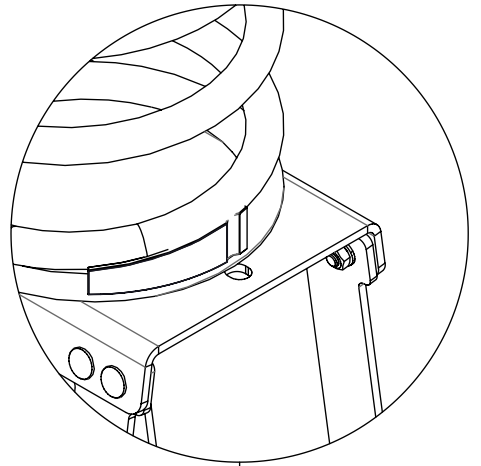
[cm]



vinci
play



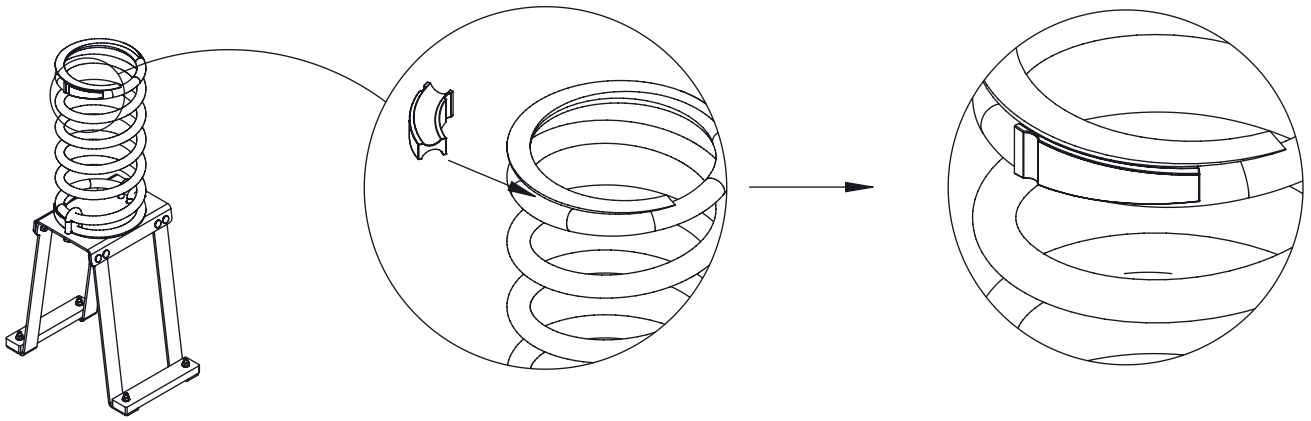
SP2 x1



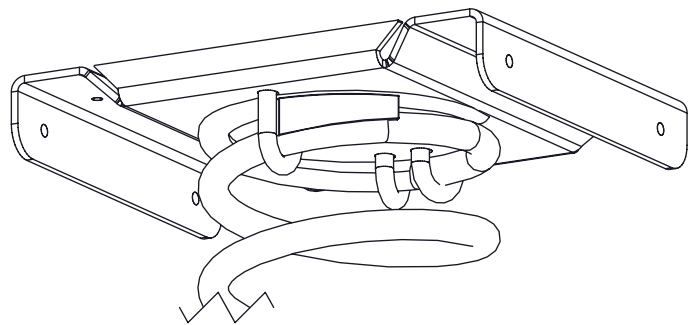
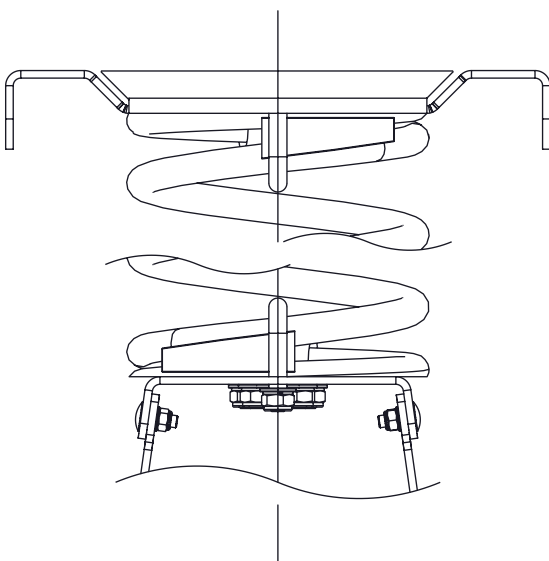
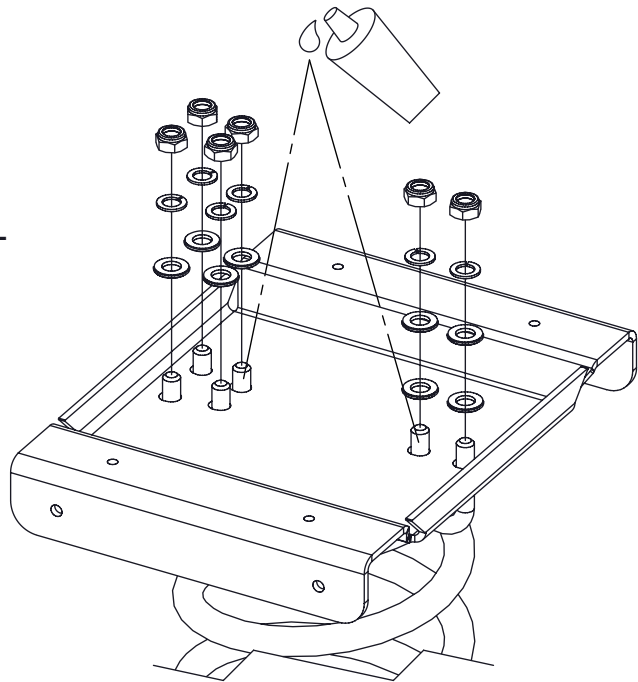
[cm]



vinci
play



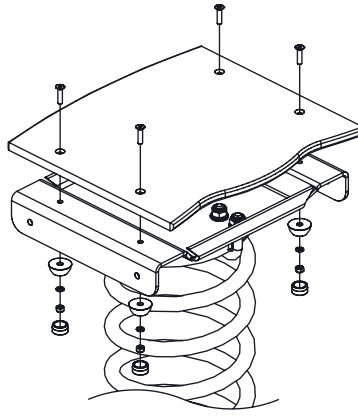
SP2 x1



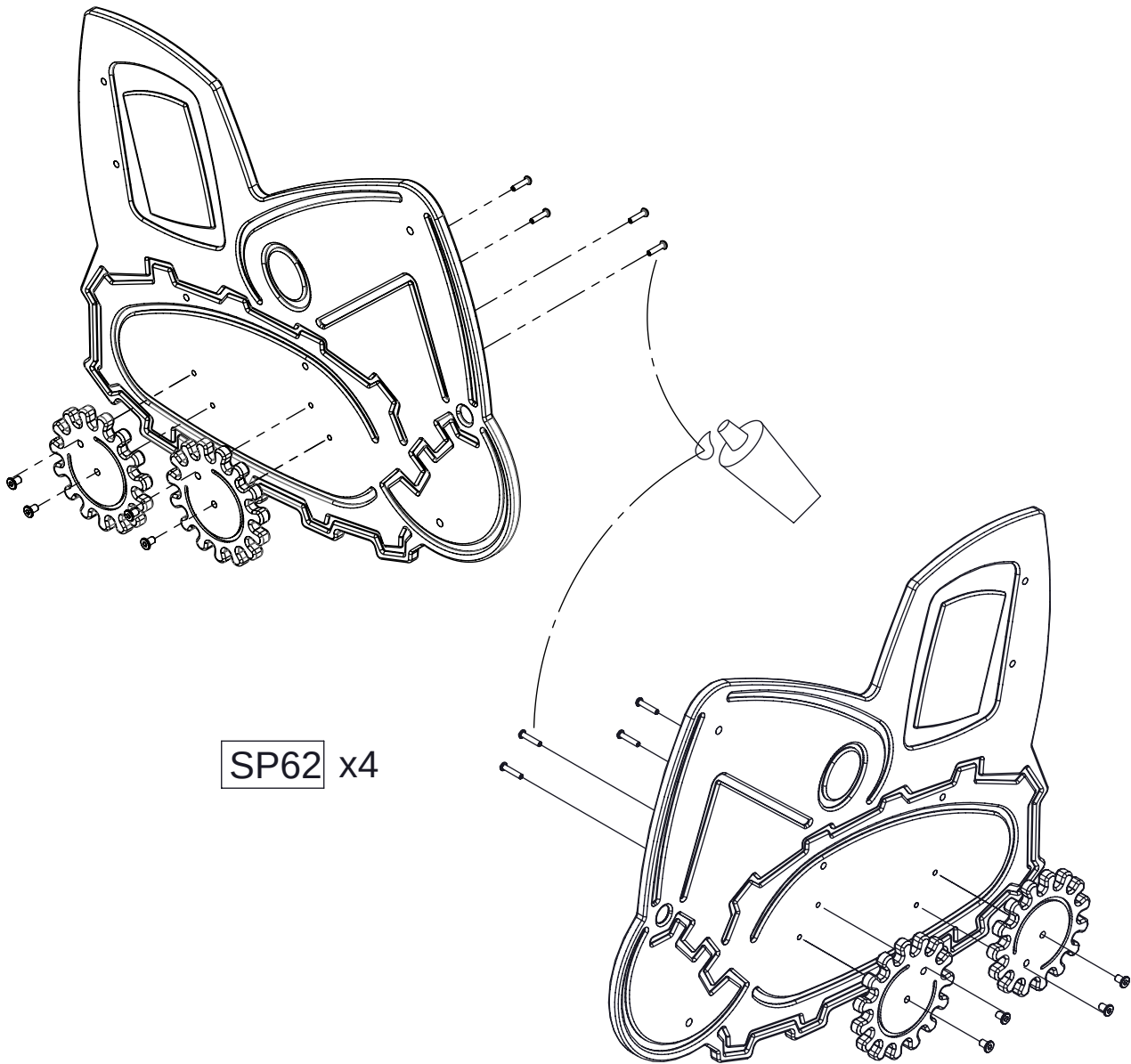
[cm]



vinci
play



SP10 x1

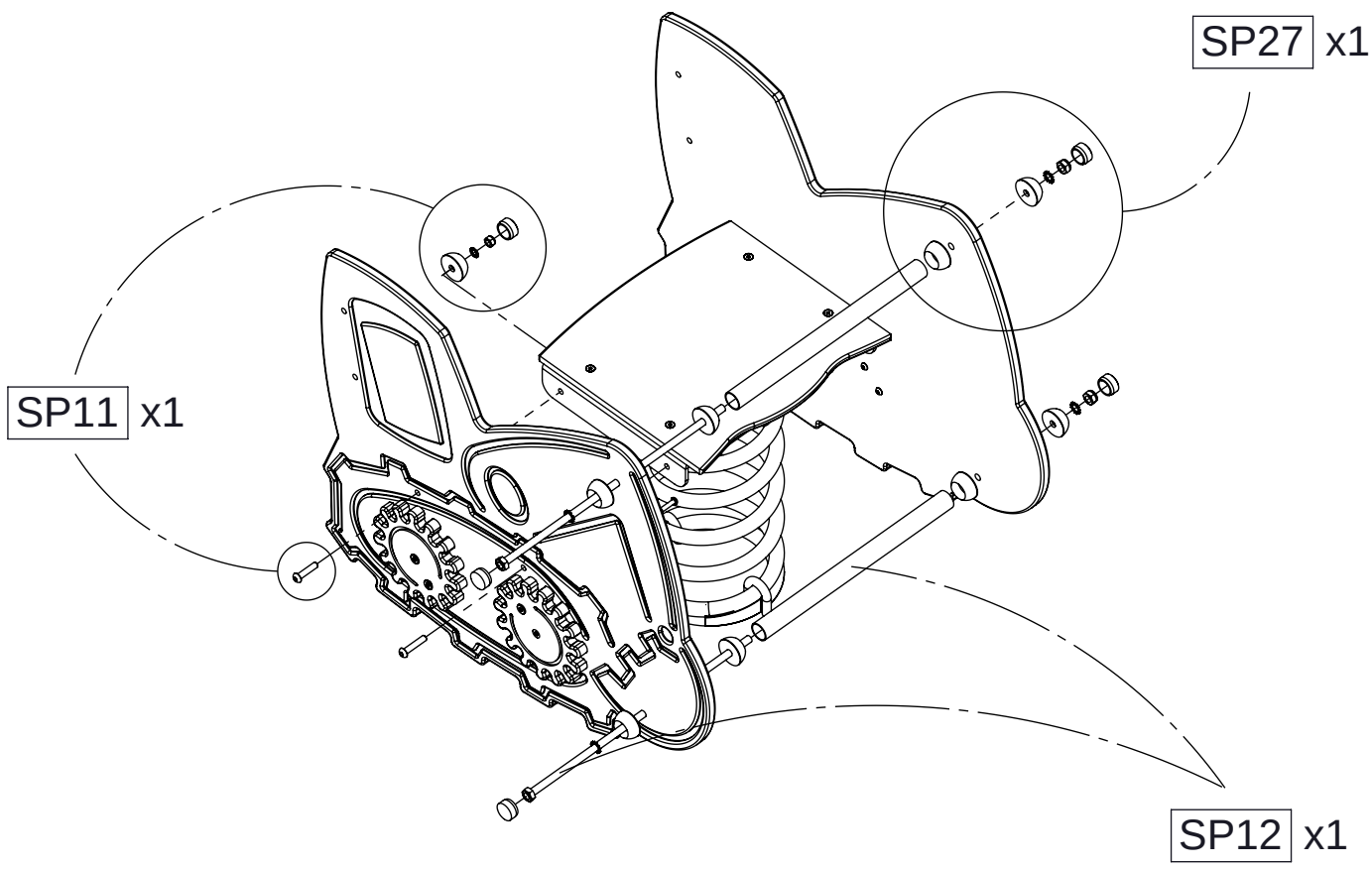


SP62 x4

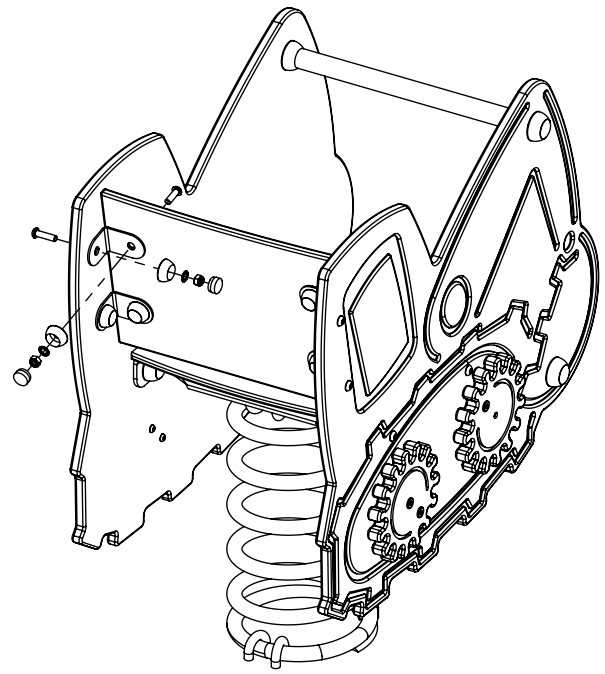
[cm]



vinci
play



SP33 x1



[cm]



vinci
play